

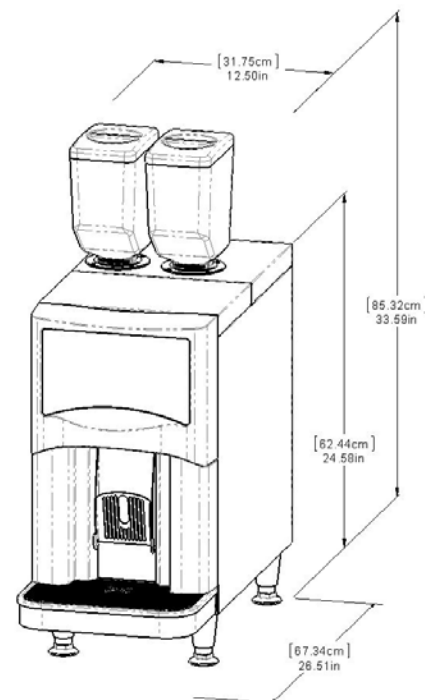
Company Name		IF APPLICABLE, PLEASE SUPPLY
Site Contact Name		Construction Company Name
Site Address		Construction Contact Name
Billing Address		
Phone		Phone
Fax		Fax

SITE PHYSICAL REQUIREMENT

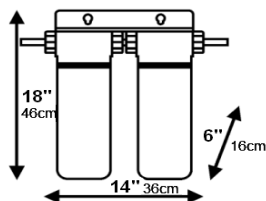
<input type="checkbox"/>	LOCATION: The countertop must support at least 150lbs. Minimum countertop space: 12.5" (32cm) W x 26" (66cm) D x 41" (104cm) H. Actual machine dimensions are smaller , extra space is required for Service Access. Access holes for the drain and water hoses must be cut into the countertop. See Access Holes Diagram .
<input type="checkbox"/>	ELECTRICAL: NEMA 14-30R receptacle. Minimum 208Vac on dedicated 30amp circuit. Must be located within five feet (1.5 meters) of machine.
<input type="checkbox"/>	WATER: Cold water source with a 3/8 compression fitting. Min. 30psi, Max. 100psi, 25gpm. If your location has a Reverse Osmosis System, a freshwater bypass is required. Water hardness must not exceed 3gpg. If water hardness is greater than 3gpg, a water treatment system is required.
<input type="checkbox"/>	WATER TREATMENT SYSTEM (optional): Space should be available to install water treatment system. Must be located within five feet (1.5 meters) of machine. Dimensions: 14" (36cm) W x 6" (16cm) D x 18" (46cm) H. Unit is mounted on the wall.
<input type="checkbox"/>	DRAIN: Connection for a 1/2" (1.3cm) ID drain hose. Must be located within five feet (1.5 meters) of machine.
<input type="checkbox"/>	AMBIENT AIR TEMPERATURE: The air temperature around the machine must not exceed 100°F (38°C), to ensure the machine operates properly.
CUSTOMER SUPPLIED CONSUMABLES	
<input type="checkbox"/> BEANS	Whole coffee beans (regular and decaf). Minimum 5lbs regular and 3lbs decaf.
<input type="checkbox"/> CUPS	Three sizes (12oz/360mL, 16oz/480mL and 20oz/590mL). Minimum 30 each.

ASCENT BREWER INSTALLATION DIMENSIONS

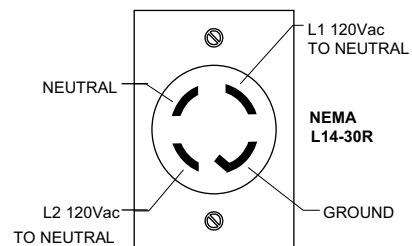
Actual machine dimensions are smaller



WATER TREATMENT SYSTEM DIMENSIONS



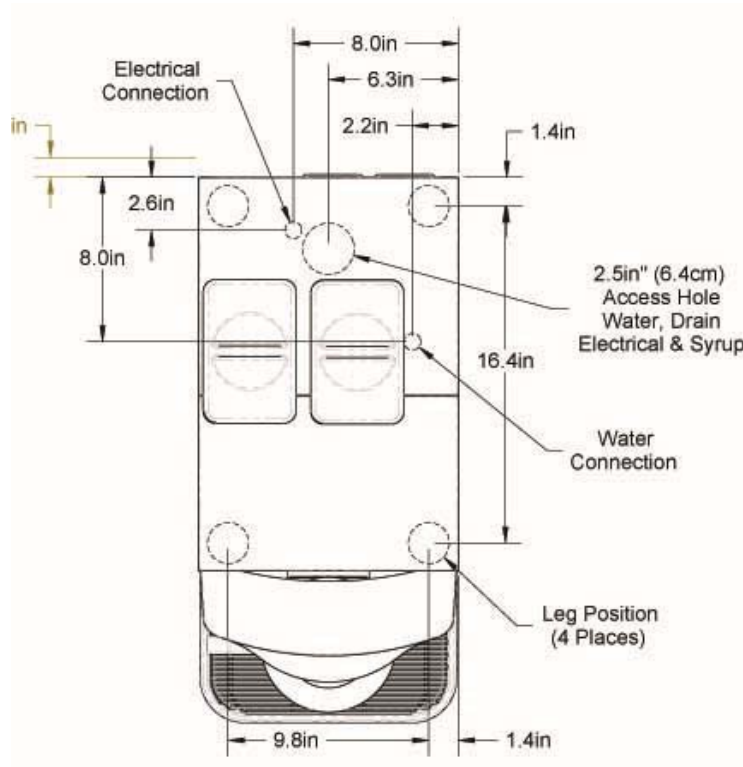
ELECTRICAL



Access Holes Diagram

Connection for a 3/4" (1.9cm) ID drain hose must be located within five feet (1.5 meters) of the machine.

The location may require a drain hose access hole be cut in the counter top. This must be completed prior to installation.



I HAVE READ AND UNDERSTAND THIS DOCUMENT. I CONFIRM ALL PRE-SITE **REQUIREMENTS HAVE BEEN MET**. I ASSUME RESPONSIBILITY FOR ANY ADDITIONAL FEES INCURRED DUE TO INCOMPLIANCE WITH ANY PRE-SITE REQUIREMENT.

Customer Name (Print): _____ Title: _____

Customer Signature: _____ Date: _____